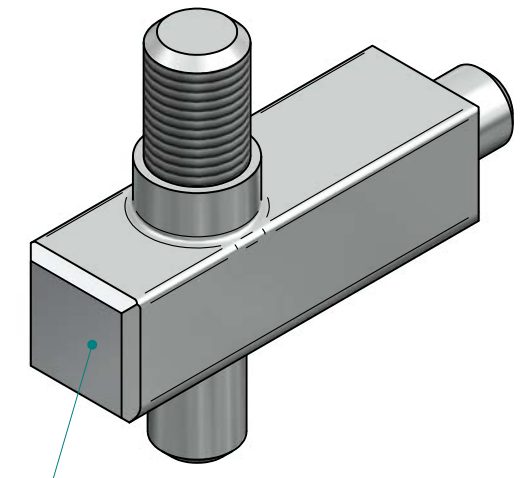
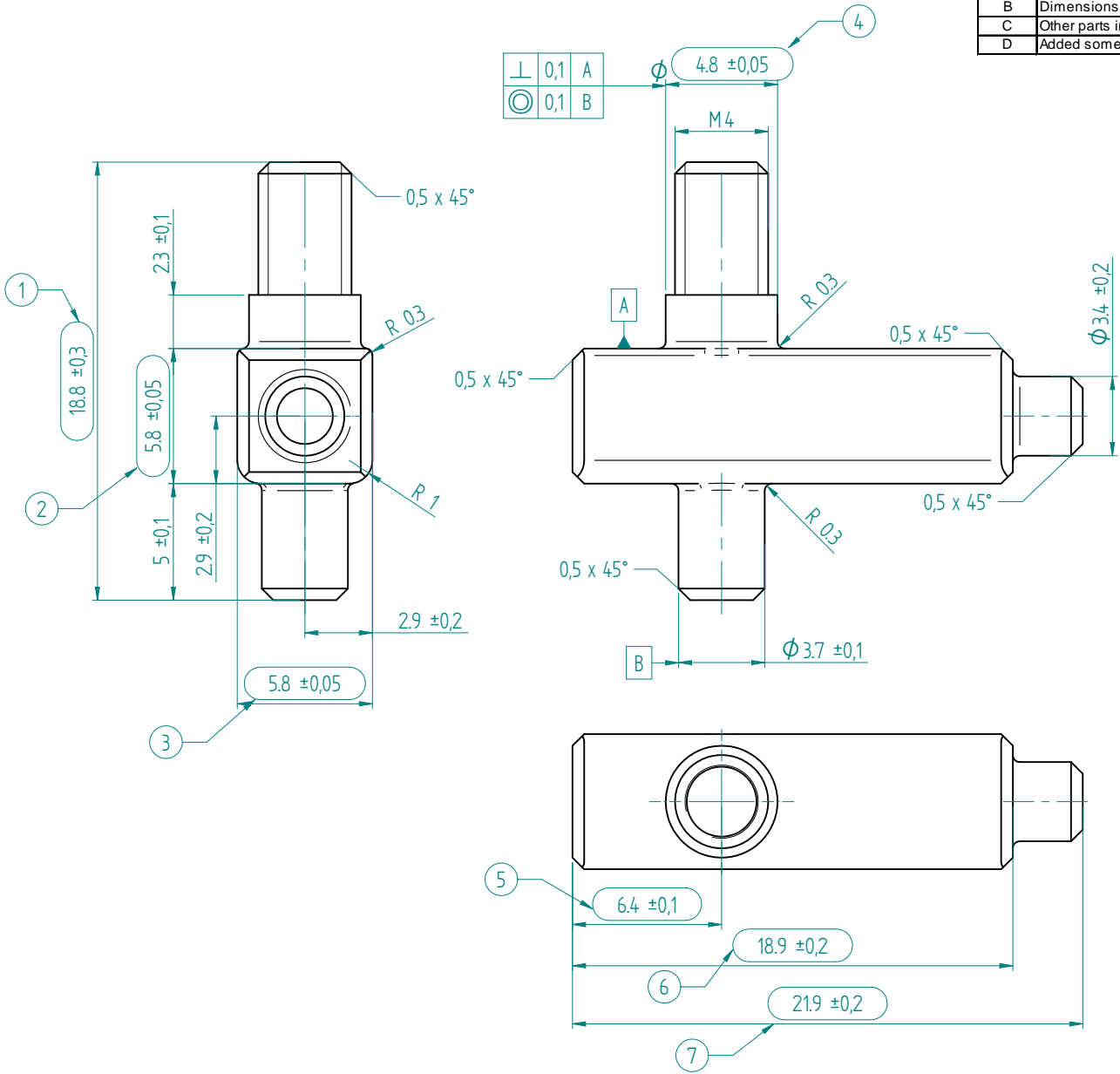


Rev	Change	Date	Int.	Proto No. (Reuse DXF)
A	Concept Release	13-04-12	BB	
B	Dimensions and shape changed	15-04-12	CIL	
C	Other parts integrated	16-04-12	CIL	
D	Added some rounds and chamfers, added tolerances and check dimensions	25-05-12	CIL	



5:1

Outside surface texture:
VDI 18-24 (MT-11010 - MT-11020)

Material		Weight	Revision
Cast Aluminium Alloy			
Operation:	P/N:	0,002 kg	\square
		CIL	15-06-2012
Bending tools: No:		Unless otherwise specified tolerances according to ISO 2768-f All dimensions are in millimeters	
Upper matrix		DP-157-BAU	
Lower matrix			

TOLERANCES PR ISO 2768										
Designation	Description	0.5-3	3-6	6-30	30-120	120-400	400-1000	1000-2000	2000-4000	X°
f	fine	± 0.05	± 0.05	± 0.1	± 0.15	± 0.2	± 0.3	± 0.5	--	$\pm 0.5^\circ$
m	medium	± 0.1	± 0.1	± 0.2	± 0.3	± 0.5	± 0.8	± 1.2	± 2.0	$\pm 1.0^\circ$